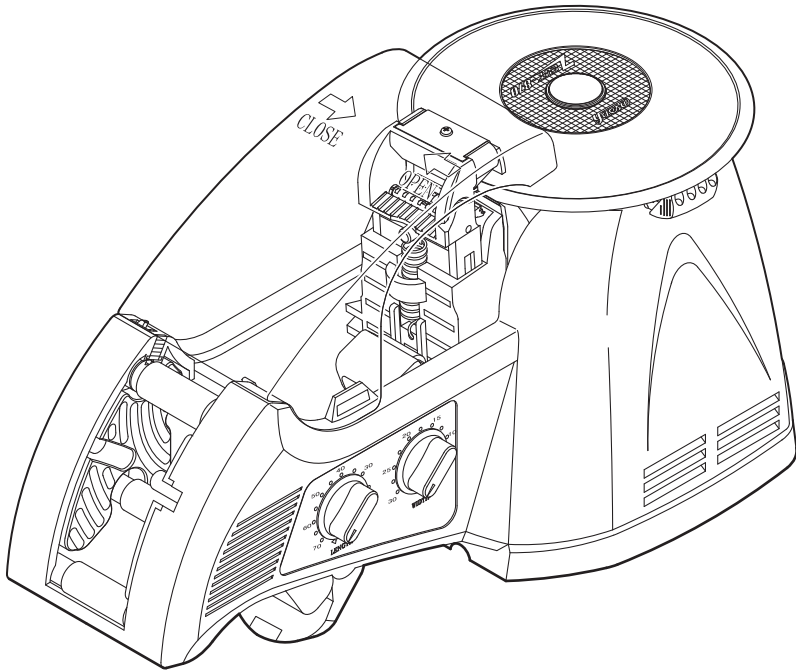


Yaesu

AUTO TAPE DISPENSER

ZCUT-870

INSTRUCTION MANUAL



Before Use

Thank you for buying Auto Tape Dispenser model ZCUT-870.

ZCUT-870 is a compact, unique feeding system which allows to many kinds of tape, includes minimum size of thin tapes.

Please read this Instruction Manual carefully.

For your safety, please keep this Instruction Manual for reference, retraining and trouble shooting.

Contents

P 2	Before Use
P 3	Safety Instructions
P 3-5	Definition of Warning and Caution Symbols
P 6	Identification of Parts
P 7	Loading the Tape
P 8	Setting the Tape Length and Cut-Piece Spacing
P 8-9	Setting the Mode
P 10	Dealing with Curling Tape
P 10	Maintenance
P 10	Our Recommendation
P 11	Replacing the Upper and Lower Blades
P 12	Specifications
P 12	Warranty

Safety Instructions

The safety guidelines in this Instruction Manual must be observed in order to prevent damage to the machine or injury to the operator or other person.

The safety guidelines prescribed "Warning " and "Caution" describe possible injury or damage that may be suffered from operating or maintaining the machine in a manner other than as described in this Instruction Manual.

Read and follow the safety precautions carefully before reading the Instruction Manual.

Definition of Warning Symbols



Warning

Indicates a potentially hazardous situation which if not avoided, could result in death or serious injury.



Caution

Indicate that carelessness of handling may result in danger and that the operator is at risk of injury, or the machine is at risk of damage.



Indicates Caution

A symbol within the triangle, or the description, will indicate a specific hazard.



A Prohibited Action

A symbol within the circle, or with a diagonal stroke, will indicate prohibited action.



A Required Action

A symbol within the circle in black, or the description, will indicate the required action.



Warning



Do not plug in, unplug the cord, or operate the machine with wet hands.

Failure to observe this may result in injury due to electric shocks.



Never insert your finger, or any other body part, or any foreign object into the machine.

Failure to observe this may result in injury.



Keep hair or loose clothing away from the machine while it is operating.

Failure to observe this may result in injury.



This machine is intended for industrial use only.
Do not allow untrained operators or children to operate the machine.

Failure to observe this may result in injury.



Turn off the power switch and unplug machine prior to replacing the blade or performing any maintenance the machine.

Failure to observe this may result in serious injury.



Do not use this machine for anything other than its specified applications.

Use of the machine for any unintended applications can cause injury to the operator or failure of the machine.



Caution



Do not expose the machine to water or other liquids.
Do not install or use the machine where it may come into contact with water or other liquids.
Exposure to water or other liquid can cause injury due to electric shock, or failure of the machine.



Never modify or disassemble the machine.
This can cause injury or failure of the machine.



Always unplug, or the machine in, by holding the plug.
Never pull on the cord.
Pulling on the cord can result in an injury due electric shock.



Never place foreign object into the machine.
This can cause failure of the machine.



An operators presence is required whenever the machine in operation.
Turn the machine off and unplug the cord when the operator is not present.
Failure to observe this can result injury.



Do not cut or damage the power cord.
A cut or damage the cord can lead to electric shock, a short circuit or possible fire hazard.



Make sure the cord is connected properly to the electrical outlet as well as the receptacle on the back of the machine.
A loose connection can result in high heat or fire.



Do not use the machine in areas where moisture is present, high temperatures exist or a high content of dust or dirt is present.
This can result in failure of the machine.

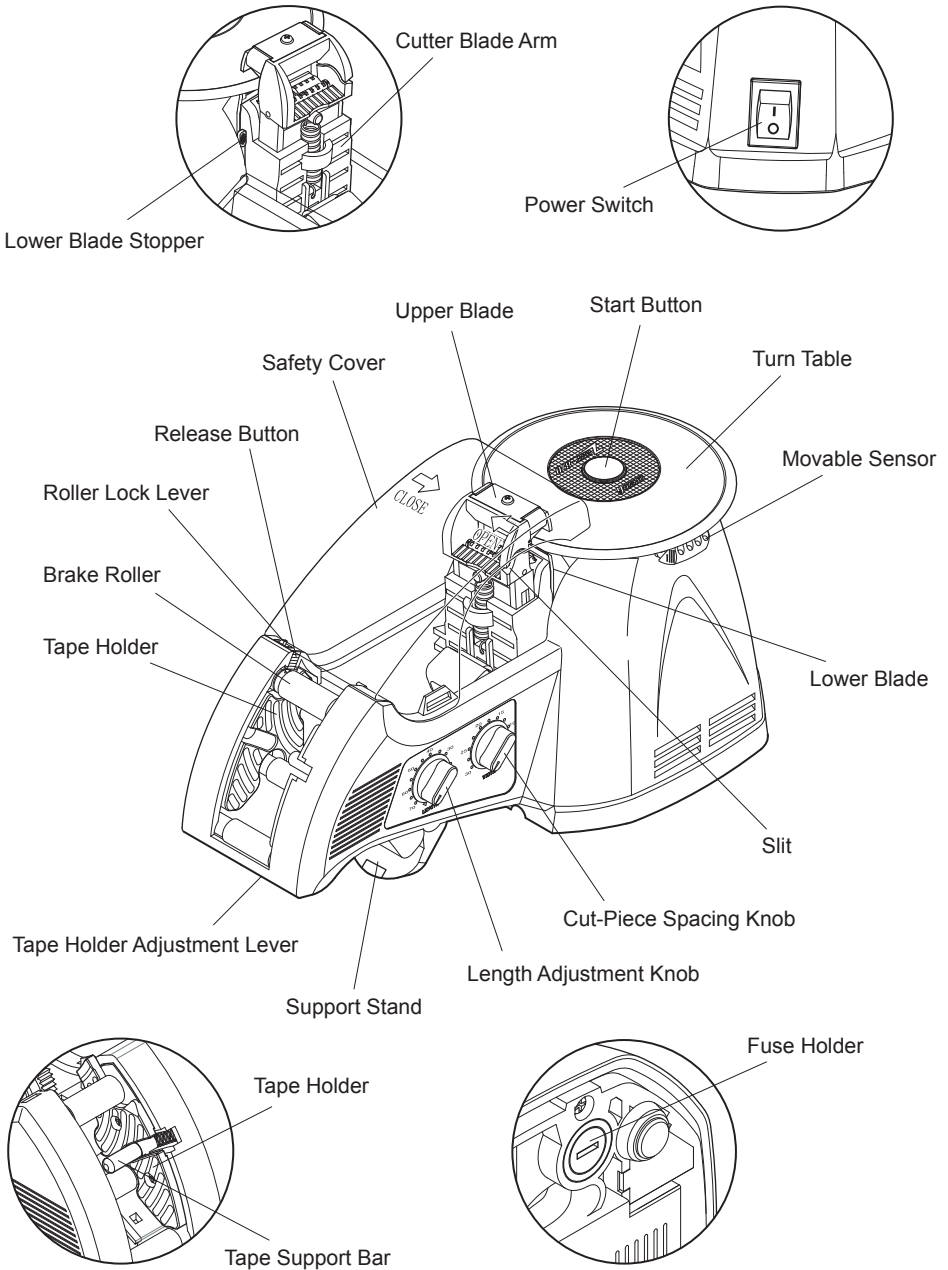


Always install and operate the machine on a flat, stable surface.
Dropping the machine can lead to failure of the machine or injury to the operator.



Always remove the tape from the machine when you are finished with the operation.
Leaving the tape in the machine may lead to a build up of adhesive on the part, or cause the tape curl.

Identification of Parts



Loading the Tape

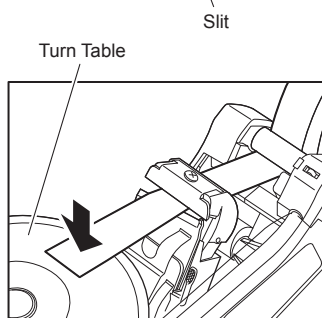
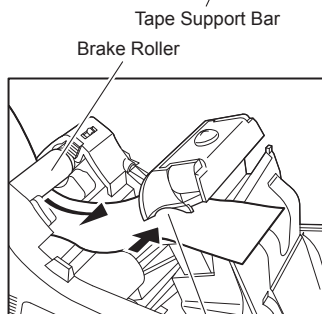
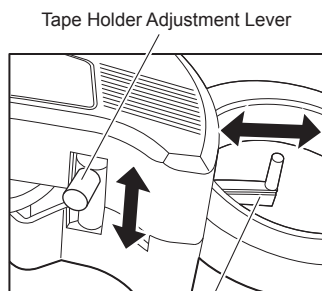
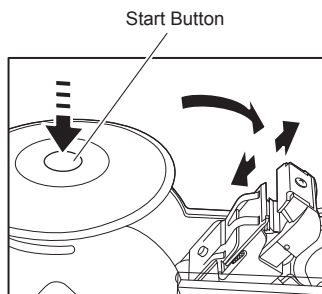


WARNING: Whenever you set the tape, do not touch the **UPPER and LOWER BLADES**.



Make sure to turn the **POWER SWITCH** off, and according to **Instruction Manual** when you set the tape.

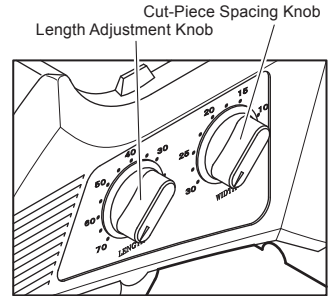
- Make sure the **SUPPORT STAND** is in use.
- Make sure the **POWER SWITCH** is off and plug in.
- Turn the **POWER SWITCH ON**.
(A lightly beep sound will come out then the **START BUTTON** lights and shows the mode color.)
(The default on this tape dispenser sets number of cut. Red color light on which means 2 pcs. is set.)
- Slide **SAFETY COVER** to the direction of **OPEN** to open **SAFETY COVER**.
(The **START BUTTON** is flashing with Red light.)
- Press the **START BUTTON** and move the **CUTTER BLADE ARM** little by little.
(Catch the timing where the cutter blades open most widely.)
(Press the **START BUTTON** continuously, the **CUTTER BLADE ARM** moves intermittently.)
- Turn the **POWER SWITCH OFF**.
- Plug the cord out.
- Pull the **TAPE SUPPORT BAR** out to the limit.
- Pull the tape under the **BRAKE ROLLER**.
- Put the tape between the **TAPE HOLDER**, hooked by **TAPE SUPPORT BAR** and through the **SLIT** (between **UPPER and LOWER BLADE**) and affix the tape to the **TURN TABLE**.
- Adjust the **TAPE HOLDER** to the proper width by sliding the **TAPE HOLDER ADJUSTMENT LEVER**.
- Slide **SAFETY COVER** to the direction of **CLOSE** to close **SAFETY COVER**.
- Plug in the cord.
- Turn the **POWER SWITCH ON**.
- Press the **START BUTTON**.
(When you use **AUTO MODE A** (Blue light on) or **AUTO MODE B** (Purple light on), stop rotating the **TURN TABLE** at the **SENSOR** which you set. When you use **PRESET MODE** (Red light on), the **TURN TABLE** stop rotating after finishing numbers of cut.)



Setting the Tape Length and Cut-Piece Spacing

You can adjust the length and cut-piece spacing whether ZCUT-870 is "ON" or "OFF".

- Turn the LENGTH ADJUSTMENT KNOB to the desired tape length. (The number which is pointed in approximate Millimeter.) (The actual length differs from the shown length depends on the type of tape and its condition.)
- Turn CUT-PIECE SPACING KNOB to the desired spacing. (Make sure to keep the proper space between the cuts to avoid tape overlapping.)



Setting the Mode

As depend on the terms of use, please select from different kinds of mode.

In the case of following changes, Sensor Mode A → Sensor Mode B → Preset Mode → Setting the Blade Close Mode, please press the START BUTTON longer until buzzer sounds.

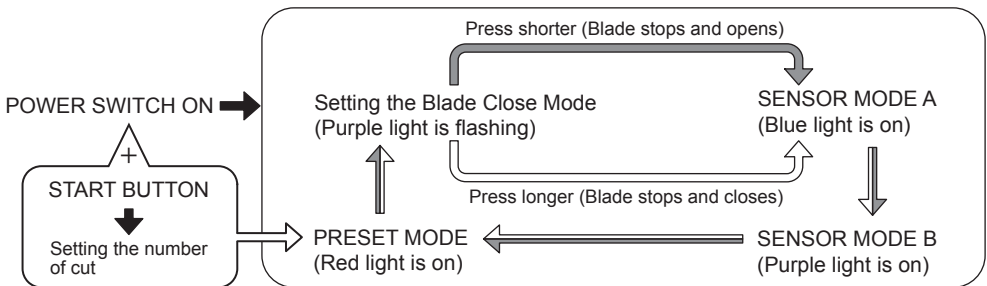
The START BUTTON should be pressed longer when you prefer setting the blade close mode. When you prefer setting the blade open mode, you just press the START BUTTON shorter.

(Even for setting the blade open mode, buzzer will sound.)

Setting the blade close mode will be available for all setting the mode of Sensor Mode A, Sensor Mode B, and Preset Mode.

If power switch turns on while pressing the START BUTTON, you will be able to set the number of cut as you desire.

Please refer to the illustration as below.



Setting the Blade Close Mode

- Press the START BUTTON longer and setting the blade close mode will be done.
- Setting the blade close mode means both upper blade and lower blade are closed when the cutting blade stops. Press the START BUTTON longer if you prefer this mode. This mode will be suitable for cutting the extendible tapes.
- Setting the blade open mode means both upper blade and lower blade are opened when the cutting blade stops. Press the START BUTTON shorter if you prefer this mode.
- When power switch turns on, the cutting blade will remain opened.

SENSOR MODE A

- Press the START BUTTON longer. (Blue light is on)
- Move the MOVABLE SENSOR to the desired position.
- Press the START BUTTON then start.
- When the tape reach over the MOVABLE SENSOR, machine will stop cutting.
(If the machine can not stop cutting to pass through the MOVABLE SENSOR, check and adjust the position of MOVABLE SENSOR again.)
- When you remove the tape over the MOVABLE SENSOR, machine will start to cut again automatically.

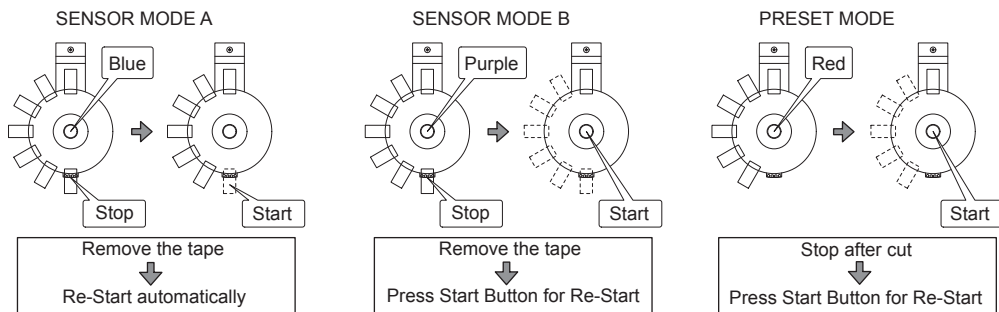
SENSOR MODE B

- Press the START BUTTON longer. (Purple light is on)
- Move the MOVABLE SENSOR to the desired position.
- Press the START BUTTON then start.
- When the tape reach over the MOVABLE SENSOR, machine will stop cutting.
(If the machine can not stop cutting to pass through the MOVABLE SENSOR, check and adjust the position of MOVABLE SENSOR again.)
- When you remove the tape from the TURN TABLE, press the START BUTTON again.
- When the tape reach over the MOVABLE SENSOR, the machine will stop cutting.

PRESET MODE

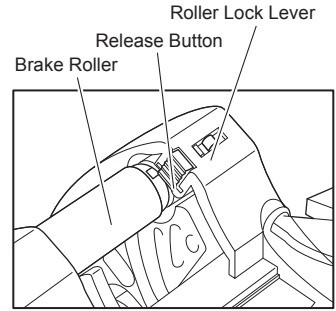
ZCUT-870 is able to be programmed.

- Turn the POWER SWITCH off.
- During pressing the START BUTTON, turn the POWER SWITCH on in a same time.
- When the beep sound come, leave your finger from the START BUTTON.
(Confirm the beep sound comes again, and START BUTTON is flashing in Red and Blue alternately.)
- Press the START BUTTON and set the desired the number of cut minus two.
(For example, if you want to set 10 pieces, you should press the START BUTTON eight times.
Maximum set number of cut is 15 pieces.)
- When you set the number of cut, press the START BUTTON longer until beep sound comes.
- Make sure the START BUTTON light turned Red.
- Press the START BUTTON and start to operate.
(The machine will stop cutting when reach the number of cut which you set.)
(After turn the POWER SWITCH off, the number of cut is still memorized.)
(When you stop the machine during operation, press the START BUTTON.
At this moment, the machine has already reset the number of cut.)
(Press START BUTTON again for re-start.)



Dealing with Curling Tape

- Press the ROLLER LOCK LEVER inward.
- Turn the BRAKE ROLLER until can not turn.
(With the roller locked the tension may cause the length to vary.)
(Cut several sample pieces and adjust the length if you needed.)
(Press the RELEASE BUTTON when you need to release the lock.)



Maintenance



**Warning: The BLADES are very sharp.
Do not touch the BLADES by hand.**



**When performing any maintenance,
make sure ZCUT-870 is "OFF".**

- If you have been using ZCUT-870 for a long time, tape residue starts to stick on the blades, and it becomes harder to cut. Remove tape residue with alcohol.
- Check the screw of UPPER BLADE regularly.
If the screw is loosen, ZCUT-870 can not cut the tape properly.
- If the tape can not stick on the TURN TABLE, clean the TURN TABLE by using alcohol with a clean dry cloth, or swab remove the residue.

Our Recommendation

- When you carry ZCUT-870, please hold the bottom of machine.
Do not grab the TURN TABLE.
- Make sure the POWER SWITCH is "OFF" when you set the tape.
- Please follow the instructions when you set the tape.
(If you can not make it, read Instruction Manual carefully and do it over from the beginning.)
- When ZCUT-870 is not in use, please unplug and switch OFF the POWER SWITCH.
- When you finish using ZCUT-870, remove all the tape from the TURN TABLE.
- Please do not modify ZCUT-870 by yourself.
- ZCUT-870 is designed for tape cutting only. Please do not cut any other things.
- ZCUT-870 is designed for industrial use.
(It is not recommended to use at home. Do not use around children.)
- During the operation, if ZCUT-870 stops suddenly or make strange noise, please stop using ZCUT-870 immediately and send it back to us for checking or repairing.
- If ZCUT-870 is broken, please send it to us with the existing tape that you have been used.
- If you have any questions about your using tape, please contact us and send a sample roll for evaluation.

Replacing the Upper and Lower Blades

The blades are consumable, and they will eventually worn out.

If it happens, please replace a new one.

The staying power of blades are based on the tape's quality, material, thickness which you are using.



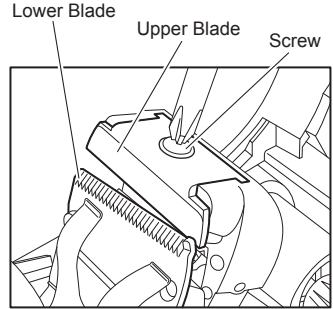
WARNING: The blades are very sharp. Whenever replace the blades, do not touch the blades and use pliers.



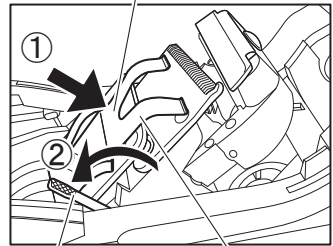
Before replacing the blades, make sure the POWER SWITCH is "OFF".

How to Remove the UPPER BLADE

- Turn the POWER SWITCH off and unplug the cord.
- Slide SAFETY COVER to the direction of OPEN to open SAFETY COVER.
- Take the screw out of the UPPER BLADE.
- Replace the new blade.
- Make sure that SAFETY COVER is definitely closed after setting tape.
- Plug in the cord and turn the POWER SWITCH on and test to cut.

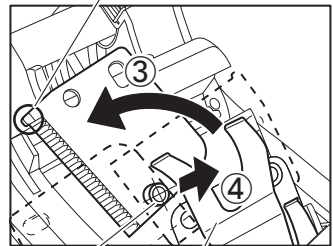


Press the Lower Blade Press



Lower Blade Press
Lower Blade Stopper

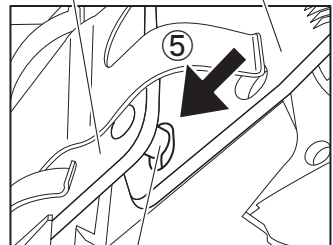
Projection



Fulcrum
Slider
Lower Blade Press
Lower Blade

How to Replace the LOWER BLADE

- Put the LOWER BLADE back to fulcrum.
- Turn the LOWER BLADE until the SLIDER's pin can insert the oval shape hole of the LOWER BLADE. [5]
- Pull the LOWER BLADE STOPPER down. (If the blades are not set properly, the machine is at risk of damage.)
- Make sure that SAFETY COVER is definitely closed after setting tape.
- Plug in the cord and turn the POWER SWITCH on then test to cut.



Insert the Slider's pin to the oval shape hole

Specifications

Power Requirements	100VAC 50/60Hz	25W
	120VAC 50/60Hz	
	220-240VAC 50/60Hz	
Input Voltage range	±5%	
Fuse	2 A	
Dimensions	126 W x 150 H x 258 D (mm)	
Weight	1.9 kg	
Body Material	ABS	
Tape Length	15 - 70 mm	
Tape Width	3 - 25 mm	
Outside Dia. of Roll	Φ 150	

The specifications are subject to change without prior notice.

The length of tape may differ from the set length depending upon the type of tape or its condition.

Some types of tape available with the machine may not be cut depending upon conditions.

Warranty

All parts on ZCUT-870 auto tape dispenser against defects in design, materials, and workmanship are under warranty for a period of 180 days.

Parts excluded from the above mentioned is cutting blades, as these part is considered as a "wear parts".

Warranty repair is contingent upon our examination and determination that alleged defects have not been caused by misuse, abuse, improper installation or application, repair, alternation, accident or neglect in use, storage, transportation, or handling.

YAESU KEIKOGYO CO., LTD.

39-8, Senju Motomachi, Adachi-Ku,

Tokyo, 120-0041, Japan

Phone 81-3-3888-8751

Fax 81-3-3888-1592

URL <http://www.yaesu1965.com>